

FAG

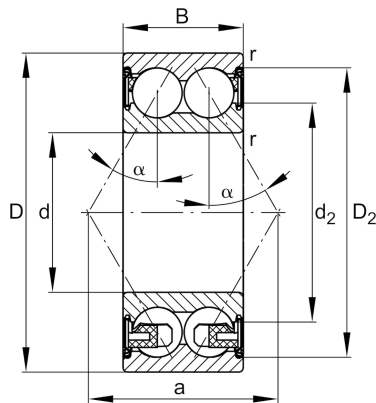
**3203-BD-XL-2Z-TVH**

Angular contact ball bearing

Schaeffler ID:  
0636628250000Angular contact ball bearing 32..-BD-  
XL-2Z-TVH, double row, X-life, shields,  
plastic cage

X-life

## Technical information

**Main Dimensions & Performance Data**

d	17 mm	Bore diameter
D	40 mm	Outside diameter
B	17.5 mm	Width
$C_r$	15,500 N	Basic dynamic load rating, radial
$C_{0r}$	9,500 N	Basic static load rating, radial
$C_{ur}$	660 N	Fatigue load limit, radial
$n_G$	14,600 1/min	Limiting speed
$n_{gr}$	16,600 1/min	Reference speed
	0.094 kg	Weight

**Mounting dimensions**

$d_{a \min}$	21.2 mm	Minimum diameter shaft shoulder
$D_{a \max}$	35.8 mm	Maximum diameter of housing shoulder
$r_{a \max}$	0.6 mm	Maximum fillet radius

**Dimensions**

$r_{\min}$	0.6 mm	Minimum chamfer dimension
$D_2$	36.1 mm	Caliber diameter outer ring
$d_2$	24.4 mm	Caliber diameter inner ring
a	23.5 mm	Distance between the apexes of the pressure cones
$\alpha$	30 °	Contact angle

**Temperature range**

$T_{\min}$	-20 °C	Operating temperature min.
$T_{\max}$	120 °C	Operating temperature max.